

Optimize operating procedures, selling processes and interaction with customers with your individual K3 solution. The multi-touch display with new GUI allows easy and intuitive operation. The modular concept and smart IoT technologies set new industry standards. Remain flexible for the long-term with your K3 solution and benefit from maximum investment reliability.



More information
High performance
with a wide range of
solutions and options.

Specifications	Facts	Details
Variants	<p>K3 100 - Counter top scale (optional: counter top scale with remote/ raised display)</p> <p>K3 800 - Counter scale or self-service scale</p> <p>K3 400 - Hanging scale</p> <p>K3 Flex - Separate version</p>	<p>Operator display: 12.1"</p> <p>Customer display: Without/7"/12.1"</p> <p>Operator display: 12.1"/15.6"</p> <p>Customer display: Without/7"/12.1"/15.6"</p> <p>Operator display: 12.1"/15.6"</p> <p>Customer display: Without/7"/12.1"/15.6"</p> <p>Operator display: 12.1"/15.6"</p> <p>Customer display: Without/7"/12.1"/15.6"</p>
Color	<p>Column silver-gray, powder-coated casting</p> <p>Displays, printer and basic module signal black</p>	RAL 9004
Operating system	<p>Windows® 10 IoT Enterprise 2019 LTSC</p> <p>BizRLPOS based on Linux CentOS7</p>	<p>64 bit Windows</p> <p>64 bit Linux CentoOS7</p>
Device software	<p>RetailStore</p> <p>RetailBridge</p>	<p>Bizerba device software</p> <p>3rd-party software</p>
Processor	<p>Intel® Atom x5 processor E3940</p> <p>Quad Core</p>	<p>Clock rate of up to 1.80 GHz</p> <p>L2 cache: 2 MB</p> <p>Instruction set: 64 bit</p> <p>Integrated graphics card: Intel® HD Graphics 500</p> <p>Fanless cooled</p>
RAM	DDR3L RAM	4 GB, optionally 8 GB
Mass storage	SSD	64 GB, optionally 128 GB
Operator display	<p>12.1" TFT display with PCAP (capacitive) touch screen</p> <p>15.6" TFT display with PCAP (capacitive) touch screen</p>	<p>Resolution: 1,280 x 800 (16:10), WXGA</p> <p>Resolution: 1,366 x 768 (16:9), HD Wide</p> <p>LED backlighting, antireflective glass surface Infinitely adjustable viewing angle</p>
Customer display	<p>7" TFT display</p> <p>12.1" TFT display</p> <p>15.6" TFT display</p>	<p>Resolution: 800 x 480 (5:3), WVGA</p> <p>Resolution: 1,280 x 800 (16:10), WXGA</p> <p>Resolution: 1,366 x 768 (16:9), HD Wide</p>
	All optional with PCAP (capacitive) touch screen	<p>LED backlighting, antireflective glass surface</p> <p>Optional: Infinitely adjustable viewing angle</p>

Printer	3" receipt / linerless printer with auto-cutter 3" receipt/label printer For 800 model optionally two printers: 3" receipt/linerless printer with auto-cutter + 3" receipt/label printer	Paper roll width: 37-80 mm, flexibly adjustable Print width: 78 mm Print resolution: 8 dots/mm (203 dpi) Roll diameter: – Model K3 800: Max. 105 mm – Model K3 100: Max. 150 mm Print speed: Max. 250 mm/s depending on paper used Linerless auto-cutter properties (depending on linerless quality & amount of adhesive) Service life: More than 500,000 cuts without lubricants
Interfaces	1 x USB 3.0 type A 3 x USB 2.0 type A LAN 1 RJ12	Super speed High speed Ethernet RJ45 10/100/1,000 MBit/s For connection to cash register drawer
Weighing ranges	Model without scale function 3/6 kg 6/15 kg 3/6/15 kg 15/30 kg 15/30 lb 30 lb 60 lb 30/60 lb Easy Level tilt compensation	No weighing function Scale interval 1/2 g, minimum load 20 g Scale interval 2/5 g, minimum load 40 g Scale interval 1/2/5 g, minimum load 20 g Scale interval 5/10 g, minimum load 100 g Scale interval 0.005/0.01 lb, minimum load 0.1 lb Scale interval 0.01 lb, minimum load 0.2 lb Scale interval 0.02 lb, minimum load 0.04 lb Scale interval 0.01/0.02 lb, minimum load 0.10 lb Automatic correction of incorrect weight values due to scale's angled position of up to 2°
Tilt compensation	0.6° 2.0°	Standard for models K3 100, K3 400, K3 800 and K3 Flex Optional for models K3 100, K3 800 and K3 Flex
Temperature range & humidity	-10 °C to +40 °C Max. 90 %	Operating temperature Relative humidity
Power consumption	Voltage: 120 - 240 V, 47/63 Hz Operation (12.1" operator display / 7" customer display): ≤ 33 W Stand-by: ≤ 1.5 W	Performance depending on configuration Energy saving with Wake on LAN (WoL)
Net weight of device	17 kg (model K3 100 with 12.1"/12.1") 21 kg (model K3 800 with 15.6"/15.6")	Weight depending on configuration

Options

Software extensions

Facts

RetailApps
Software modules: Cash register, scanning, e-cash, inventory, delivery note, proof of origin, time registration, video journal, Retail-Connect

Management software RetailControl

Details

Extra software function per RetailApps

Extra software functions per module

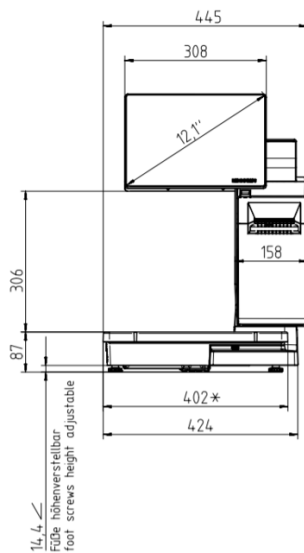
Additional software in order to track and manage devices, data and updates

Security	UEFI BIOS with Secure Boot	
	WoL FUNCTIONALITY	Wake on Lan
	Remote Disaster Recovery mode	
	Password protected menu access	
Monitoring	Monitoring static and dynamic values of various components	E.g. number of cuts, voltage drops of the CPU, operating hours counter for display backlighting etc.
	Connection external additional printer	With other paper type/other label layout
Connection of external components	Connection cash register drawer	RJ12, connection of up to two cash register drawers with adapter possible

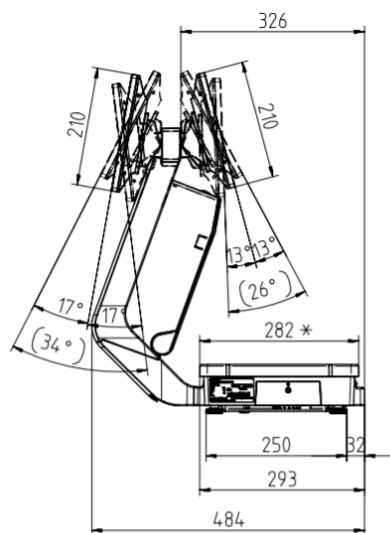
Info graphics



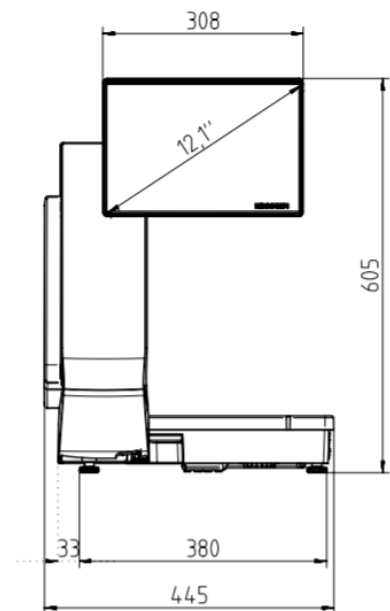
Dimensional drawings



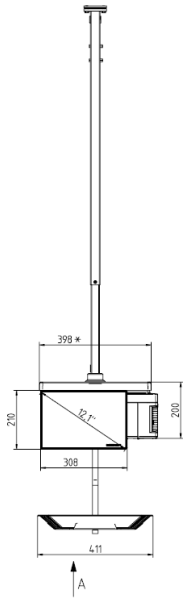
K3 800 -12.1" operator display



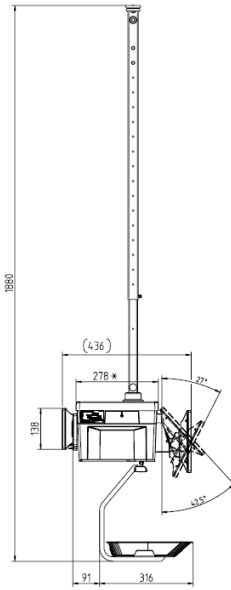
K3 800 - side view



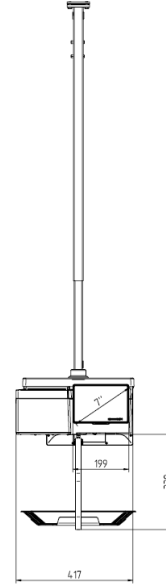
K3 800 - 12.1" customer display



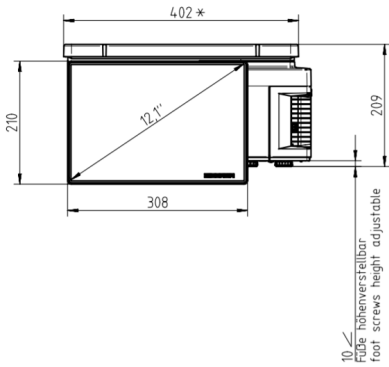
K3 400 -12.1" operator display



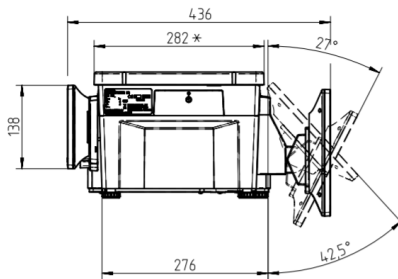
K3 400 - side view



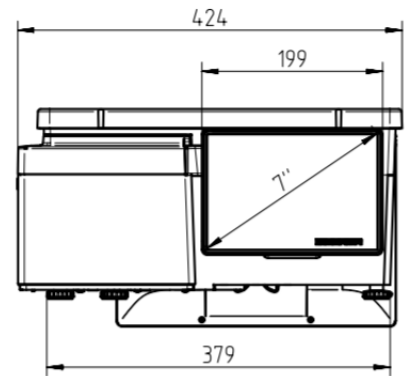
K3 400 - 12.1" customer display



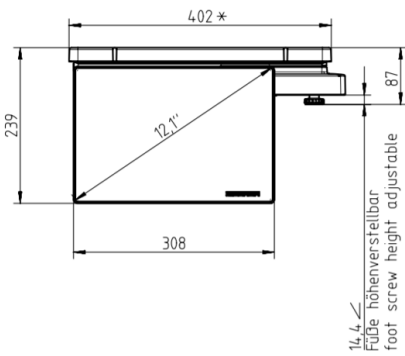
K3 100 - 12.1" operator display



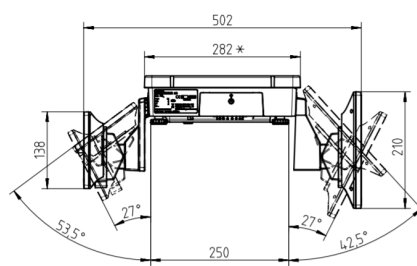
K3 100 - lateral



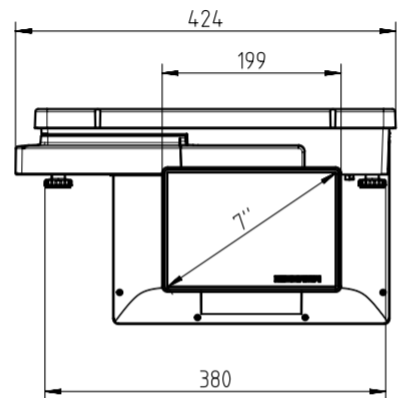
K3 100 - 7" customer display



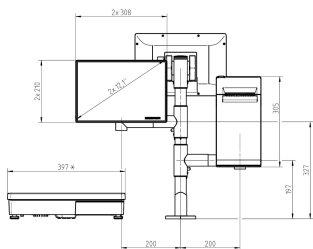
K3 100 Flat - 12.1" operator display



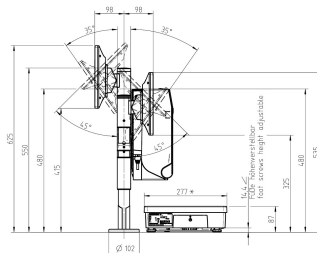
K3 100 Flat - lateral



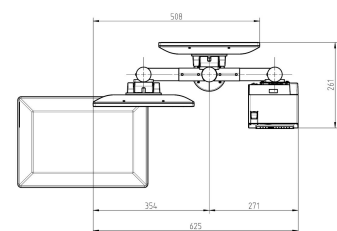
K3 100 Flat - 7" customer display



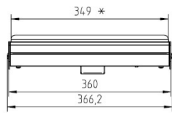
K3 Flex - 12.1" operator display



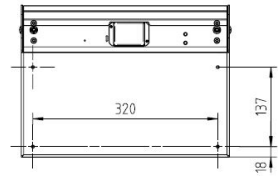
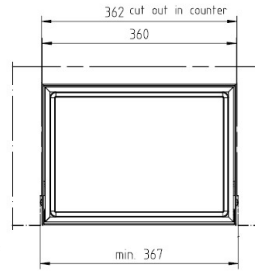
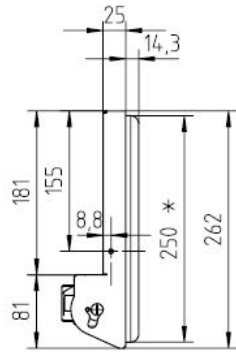
K3 Flex - lateral



K3 Flex - top view



* Abmessung Lastplatte
measure load plate



ScalePad - front view

ScalePad - lateral

ScalePad - top view

ScalePad - bottom view

Bizerba SE & Co. KG
 Wilhelm-Kraut-Straße 65
 72336 Balingen

T +49 7433 12-0
 fax: +49 7433 12-2696
 marketing@bizerba.com

www.bizerba.com